

Indicateur d'alerte lumineux à LED



Introduction

Optical indicator shown in (Fig.1) is a subordinate element of the EMI – One system. This device is designed for indoor usage and is intended to indicate alarms by turning on the red LED lights. This device is additionally equipped with tamper protection triggered by opening the casing.

This optical indicator can be set to light, when turned on, in the following modes:

Mode I – steady flashing I (flash two times, followed by a break of 1 second)

Mode II – steady flashing II (once per second),

Mode III – quick flashing (two times per second),

Mode IV – light on (Independent from the JP1 tampers configuration),

Mode V – light off (Independent from the JP1 tampers configuration).

The adjustment procedure between the certain lighting modes has been showed in Fig.4.

Description

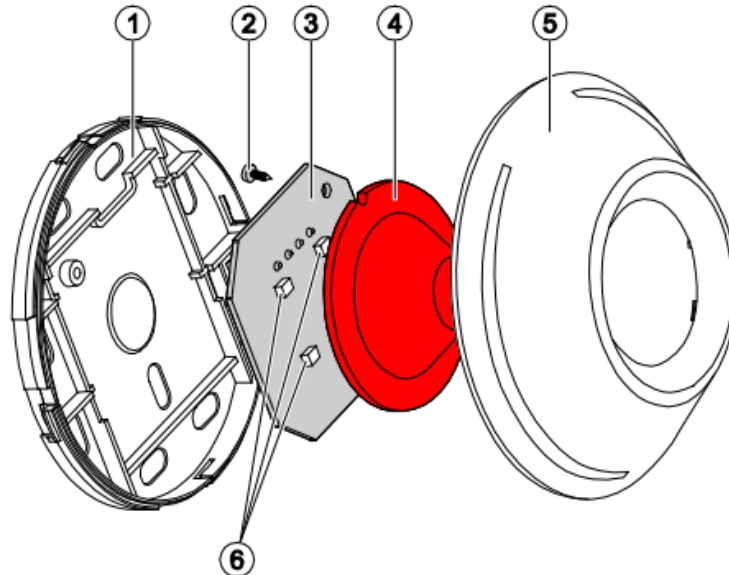


Figure 2

Description of the elements allocated within the casing:

1. Bottom casing,
2. Screw mounted to keep the PCB board and the top casing together,
3. PCB board,
4. Transparent, dispersive element,
5. Top casing,
6. LED diodes.

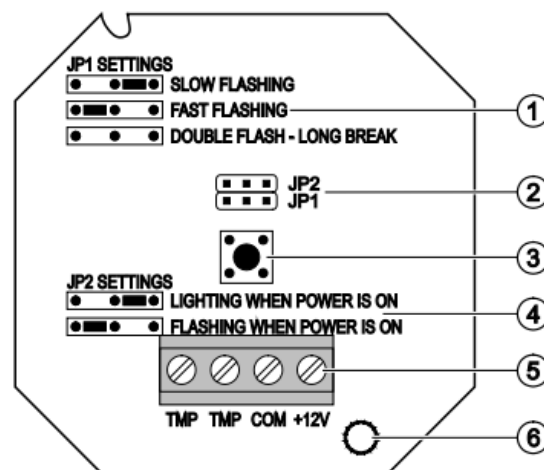


Figure 3

Description of the elements allocated on the PCB board:

1. Description of adjustment made on jumpers JP1,
2. Jumpers JP1 and JP2, to adjust the lighting mode of the indicator,
3. Sabotage switch triggered by opening the casing,
4. Description of adjustment made on jumpers JP2,
5. Clamps:
TMP – tamper.
COM – GND.
+12V – Power input
6. Mounting hole.

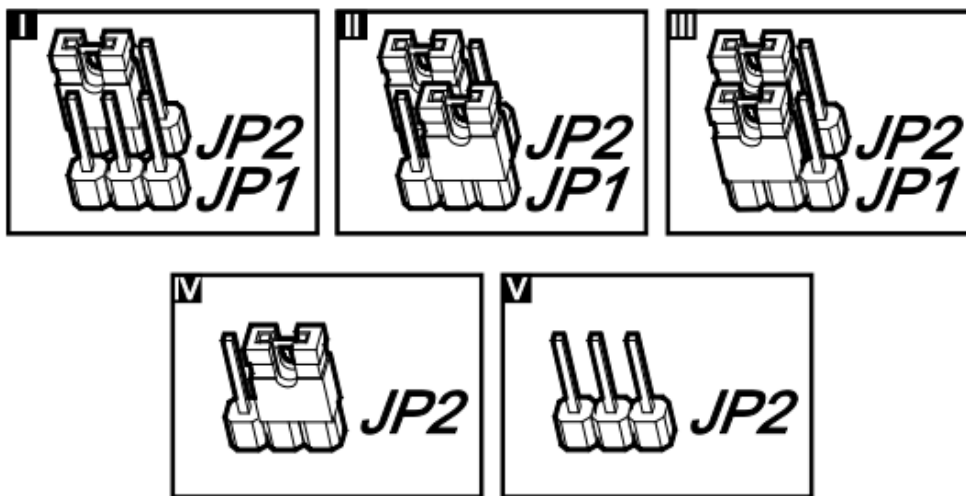


Figure 4

It is supplied as standard with 2.5-metre cable with a TBW 2-pin plug intended to connect with the EMI – One module output terminal.

Montage

Open the casing Fig.5 and fasten the bottom onto a flat Surface using the attached montage set. Then put back on the upper case and connect the indicator to the EMI – One module to the output connector.

It is important to do the connections while the devices are not powered.

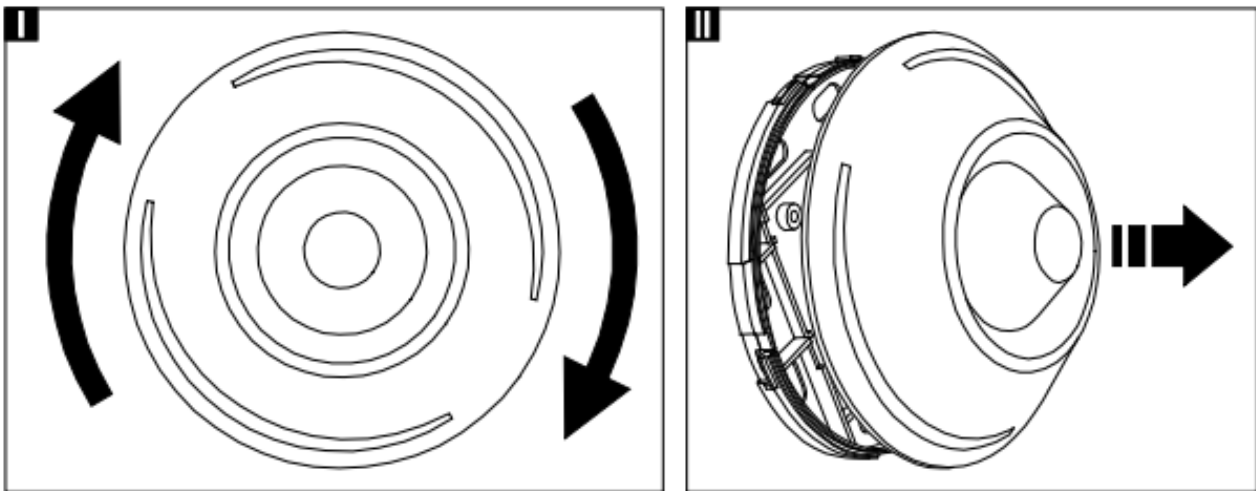


Figure 5

Technical data

Power	12V DC (from the EMI - One system)
Power consumption	44 mA
Electrical connectors	Screw terminals 4x0.25mm ²
Cable length	2.5 m
Cable end	TBW connectors (2 pin)
Casing	Plastic
Dimensions	Ø 97 x 37 mm
Working temperature	From -10°C to 55°C
Acceptable air humidity range	From 0% to 93% non-condensing
International protection rating	IP20
EN50130-5	Class II
Weight	50 g net
Casing colour	white
Accessories	Montage set, connection cable, user manual
Certifications	CE