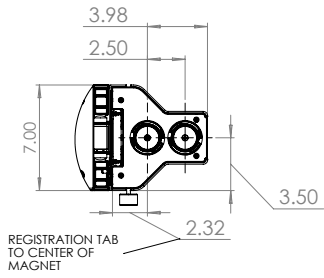


REVISIONS				
ZONE	REV.	DESCRIPTION	DATE	APPROVED
	A	RELEASED	8/13/14	T. PADILLA


PART NUMBER	DIM (A)	DIM (B)	DESCRIPTION	WEIGHT
10163-42	77.50"	41.75"	42U 24" AILSELOK DOOR, LH	28 lbs.

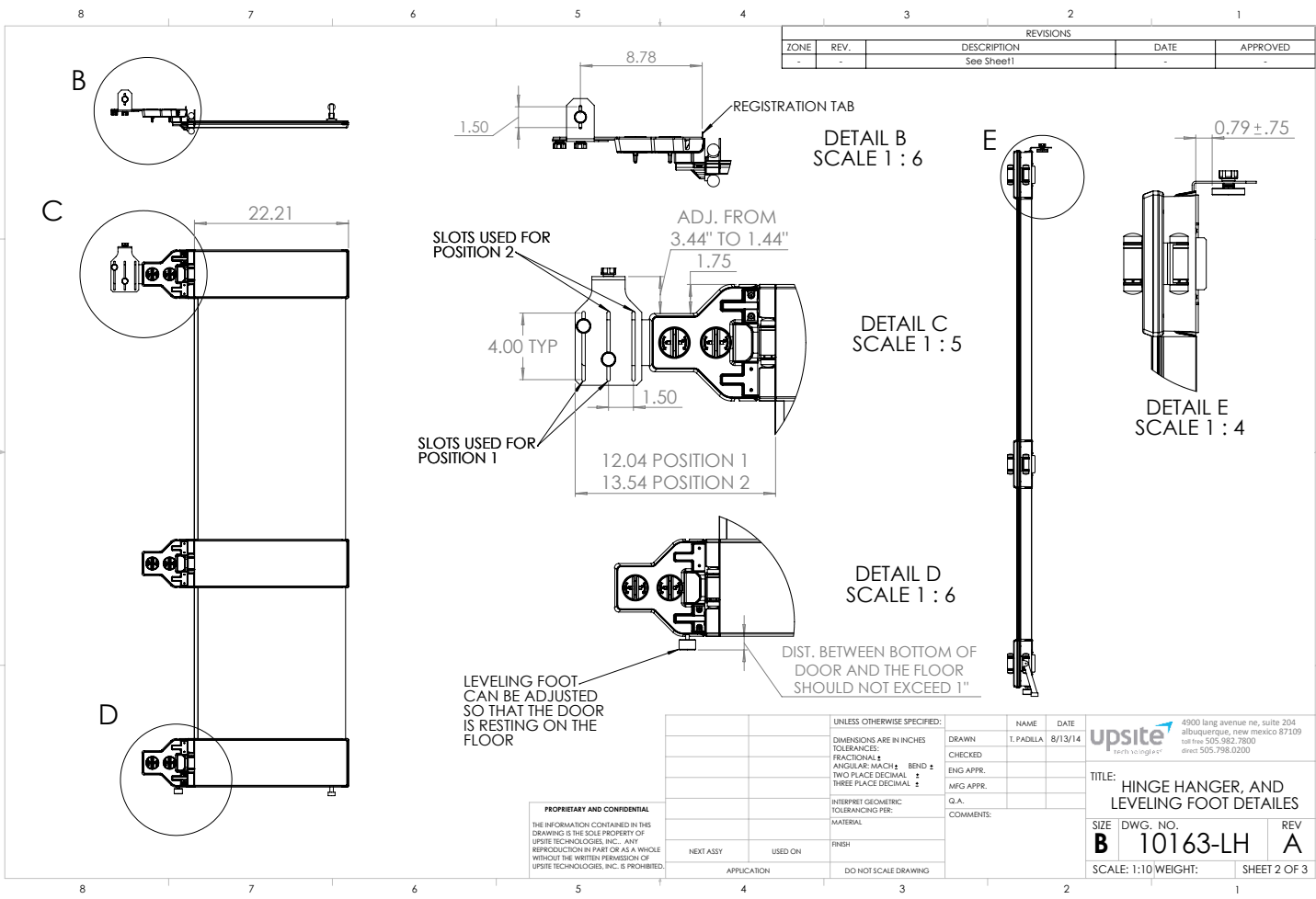
*RIGHT HAND DOOR MIRRORS LEFT HAND DOOR



DETAIL A
SCALE 1 : 6

PROPRIETARY AND CONFIDENTIAL
THE INFORMATION CONTAINED IN THIS DRAWING IS THE SOLE PROPERTY OF UPSITE TECHNOLOGIES, INC.. ANY REPRODUCTION IN PART OR AS A WHOLE WITHOUT THE WRITTEN PERMISSION OF UPSITE TECHNOLOGIES, INC. IS PROHIBITED.

UNLESS OTHERWISE SPECIFIED:		NAME	DATE	 4900 lang avenue ne, suite 204 albany/quebec, new mexico 87109 toll free 505.982.7800 direct 505.798.0200
DIMENSIONS ARE IN INCHES		T. PADILLA	8/13/14	
TOLERANCES:		DRAWN		TITLE: LEFT HAND, BI-DIRECTIONAL DOOR
FRACTIONAL ±		CHECKED		
ANGULAR: MACH ± BEND ±		ENG APPR.		SIZE DWG. NO. REV B 10163-LH A
TWO PLACE DECIMAL ±		MFG APPR.		
THREE PLACE DECIMAL ±		Q.A.		SCALE: 1:10 WEIGHT: SHEET 1 OF 3
INTERPRET GEOMETRIC TOLERANCING PER MATERIAL		COMMENTS:		
NEXT ASSY	USED ON	FINISH		
APPLICATION	DO NOT SCALE DRAWING			



REVISIONS				
ZONE	REV.	DESCRIPTION	DATE	APPROVED
-	-	See Sheet 1	-	-

PROPRIETARY AND CONFIDENTIAL
 THE INFORMATION CONTAINED IN THIS DRAWING IS THE SOLE PROPERTY OF UPSITE TECHNOLOGIES, INC. ANY REPRODUCTION IN PART OR AS A WHOLE WITHOUT THE WRITTEN PERMISSION OF UPSITE TECHNOLOGIES, INC. IS PROHIBITED.

UNLESS OTHERWISE SPECIFIED:		NAME	DATE
DIMENSIONS ARE IN INCHES		T. PADILLA	8/13/14
TOLERANCES:			
FRACTIONAL ±			
ANGULAR: MACH ± BEND ±			
TWO PLACE DECIMAL ±			
THREE PLACE DECIMAL ±			
INTERPRET GEOMETRIC TOLERANCING PER MATERIAL		Q.A.	
NEXT ASSY USED ON FINISH		COMMENTS:	
APPLICATION DO NOT SCALE DRAWING			

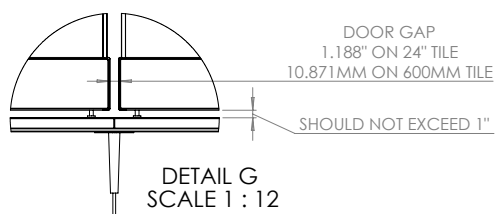
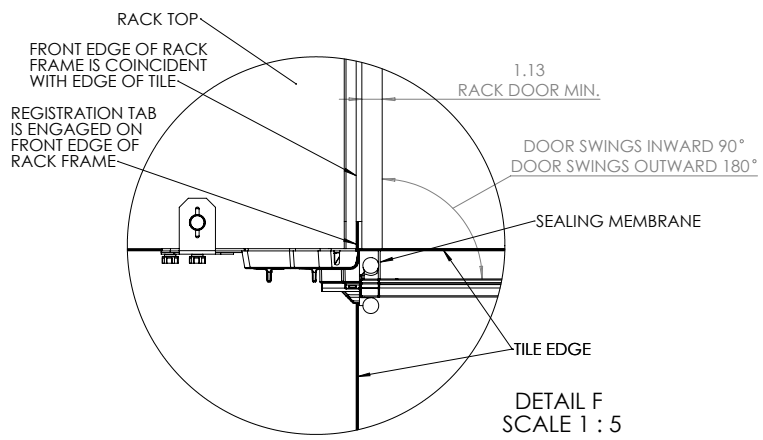
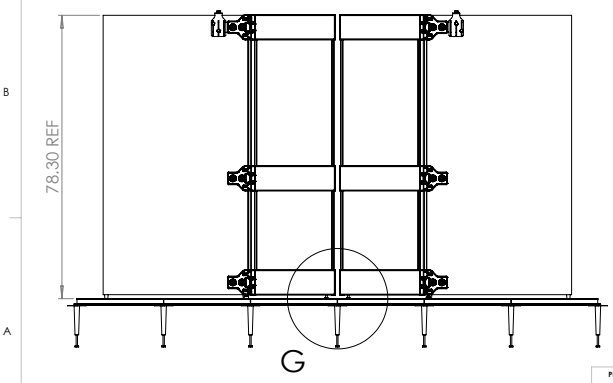
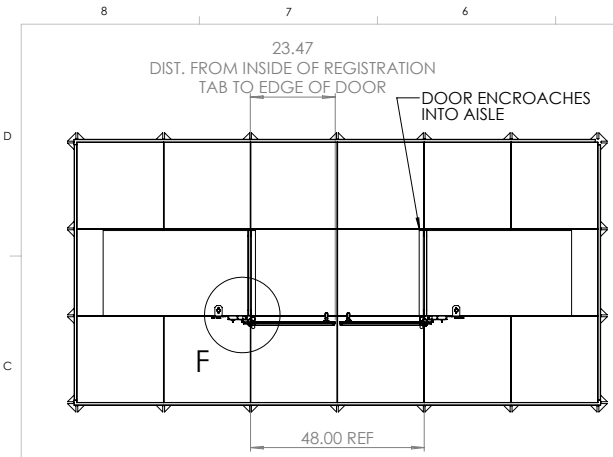
upsite
 earth saving inc.
 4900 lang avenue ne, suite 204
 albuquerque, new mexico 87109
 toll free 505.982.7800
 direct 505.798.0200

TITLE: HINGE HANGER, AND LEVELING FOOT DETAILS

SIZE DWG. NO. REV
B 10163-LH A

SCALE: 1:10 WEIGHT: SHEET 2 OF 3

REVISIONS				
ZONE	REV.	DESCRIPTION	DATE	APPROVED
-	-	See Sheet 1	-	-



PROPRIETARY AND CONFIDENTIAL
THE INFORMATION CONTAINED IN THIS DRAWING IS THE SOLE PROPERTY OF UPSITE TECHNOLOGIES INC. ANY REPRODUCTION IN PART OR AS A WHOLE WITHOUT THE WRITTEN PERMISSION OF UPSITE TECHNOLOGIES INC. IS PROHIBITED.

UNLESS OTHERWISE SPECIFIED:		NAME	DATE
DIMENSIONS ARE IN INCHES		T. PADILLA	8/13/14
TOLERANCES:			
FRACTIONAL ±			
ANGULAR: MATCH ± BEND ±			
TWO PLACE DECIMAL ±			
THREE PLACE DECIMAL ±			
INTERPRET GEOMETRIC TOLERANCING PER MATERIAL			
NEXT ASSY	USED ON		
APPLICATION	DO NOT SCALE DRAWING		

upsite earth solutions inc.
4900 lang avenue ne, suite 204
albany, arkansas, new mexico 87109
toll free 505.982.7800
direct 505.798.0200

TITLE: BI-DIRECTIONAL DOORS INSTALLED

SIZE **B** DWG. NO. **10163** REV **A**

SCALE: 1:10 WEIGHT: SHEET 3 OF 3